



Stealthbox®

INSTALLATION GUIDE
for the

SB-J-WRUD/10TW1
SKU# 94606 & 94608
2007 & Up Jeep Wrangler Unlimited

Enclosure Type: Sealed

Driver Type: 10TW1

Nominal Impedance: 4 ohms

Continuous Power Handling: 300 watts (RMS method)

! IMPORTANT

If you choose to perform the installation yourself, it is absolutely vital that the Stealthbox® be properly mounted to the vehicle according to these instructions. Failure to mount the enclosure properly presents two problems:

- 1) The sub-bass performance will suffer due to the movement of the enclosure caused by the force exerted by the woofer(s).
- 2) A loose enclosure presents a serious safety hazard in the event of a collision or sudden deceleration.

INSTALLATION
DIFFICULTY:

2 OUT OF 5

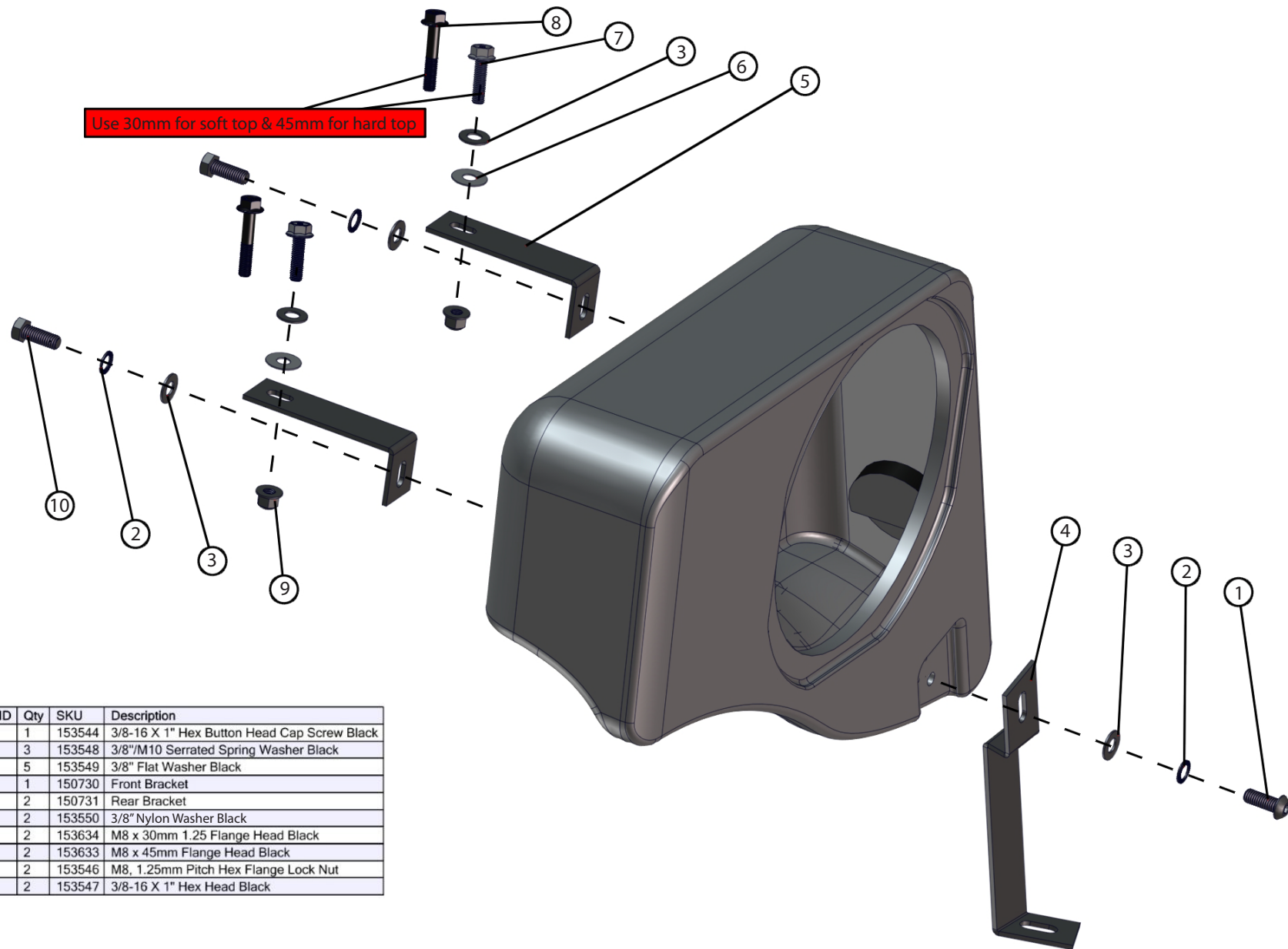
ESTIMATED TIME:
1 HOUR

JL AUDIO
~ Quality & Design ~
SBX
STEALTHBOX®

Thank you for choosing a JL Audio Stealthbox® for your automotive sound system. With proper installation, your new vehicle-specific enclosed subwoofer system will deliver years of listening pleasure.

We strongly recommend that you have your new Stealthbox® installed by your authorized JL Audio dealer. The installation professionals employed by your dealer have the necessary tools and experience to disassemble and reassemble your vehicle properly. If you prefer to perform your own installation, please read this installation guide completely before beginning the process.

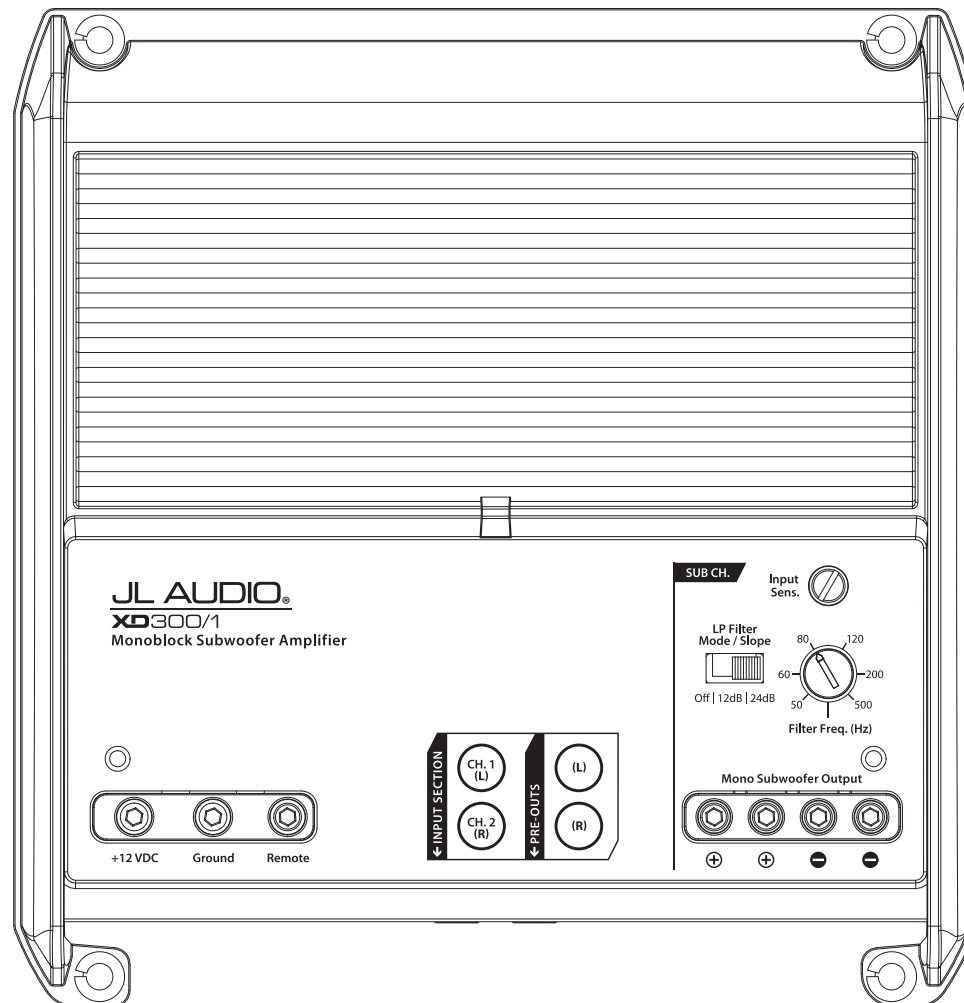
INCLUDED HARDWARE



BOM ID	Qty	SKU	Description
1	1	153544	3/8-16 X 1" Hex Button Head Cap Screw Black
2	3	153548	3/8"/M10 Serrated Spring Washer Black
3	5	153549	3/8" Flat Washer Black
4	1	150730	Front Bracket
5	2	150731	Rear Bracket
6	2	153550	3/8" Nylon Washer Black
7	2	153634	M8 x 30mm 1.25 Flange Head Black
8	2	153633	M8 x 45mm Flange Head Black
9	2	153546	M8, 1.25mm Pitch Hex Flange Lock Nut
10	2	153547	3/8-16 X 1" Hex Head Black

POWER RECOMMENDATION

JL Audio recommends high quality amplifiers such as the JL Audio XD300/1v2. The diagram below shows the recommended crossover settings for the XD300/1v2. For a detailed description of the amplifier settings, consult the owner's manual for the amplifier. If another amplifier is being used, please reference this illustration and use similar settings on that amplifier.

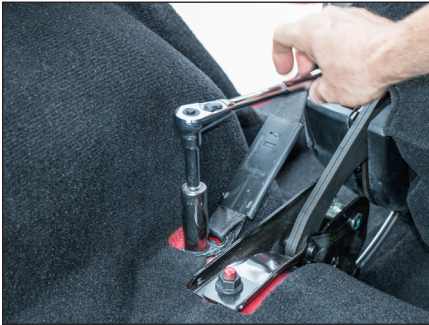


CONNECTIONS

Using quality power, signal, and speaker wire is essential in ensuring the performance of your Stealthbox®. JL Audio recommends using a 4 AWG power kit such as the XD-PCS4-1B for your Stealthbox® amplifier. Other kits are available should you be using more than one amplifier. Signal wire such as the JL Audio Premium Audio Interconnect Cables should be used to provide signal for both channels of the amplifier. JL Audio recommends using 12AWG speaker wire for subwoofers such as our XC-BCS12-25.



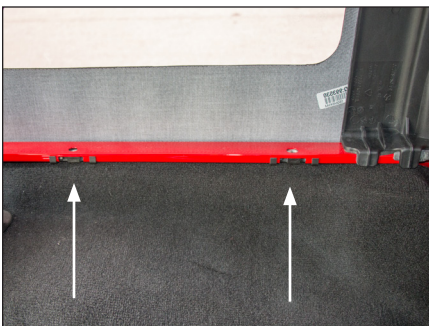
STEP 1
Empty the cargo area of the vehicle.



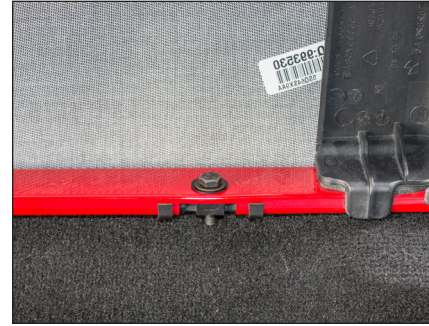
STEP 2
Fold the rear seat down, remove the nut at the base of the seat belt bracket, and slide the bracket off of the stud.



STEP 3
Slide the Front Bracket over the factory stud, followed by the seat belt bracket and nut, as shown. Hand tighten.



STEP 4
Locate the two indicated holes at the top of the side rail.



STEP 5
Slide a 3/8" Flat Washer and a 3/8" Nylon Washer over an M8 x 30 mm 1.25 Flange Head Bolt (substitute an M8 x 45 mm 1.25 Flange Head Bolt for vehicles with hard top), and thread the assembly through one of the holes indicated in the previous step. Repeat for the second hole.



STEP 6
Pull the carpet down from the side of the vehicle. Slide a Rear Bracket over the Flange Head Bolt, under the rail, as shown. Secure with an M8 1.25 Hex Flange Lock Nut, and hand tighten. Repeat for the second hole.



STEP 7
Align both Rear Brackets perpendicular to the rail, as shown.



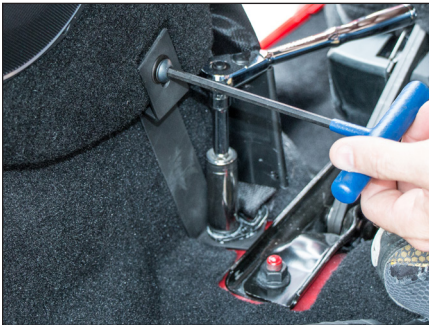
STEP 8
Connect speaker cable to the terminal cup on the Stealthbox®, and place the enclosure into position between the Front and Rear Brackets. Route the speaker cable as necessary.

**STEP 9**

Align the threaded insert on the front of the enclosure with the hole in the Front Bracket. Slide a 3/8" Serrated Spring Washer and a 3/8" Flat Washer over a 3/8 - 16 x 1" Button Head Bolt, thread the assembly through the Front Bracket and into the threaded insert, and hand tighten.

**STEP 10**

Align the threaded inserts on the back of the enclosure with the holes in the Rear Brackets. Slide a 3/8" Serrated Spring Washer and a 3/8" Flat Washer over a 3/8 - 16 x 1" Hex Head Bolt, thread the assembly through the Rear Bracket and into the threaded insert, and hand tighten. Repeat for the second bracket.

**STEP 11**

With the enclosure aligned, fully tighten the 3/8 - 16 x 1" Button Head Bolt and the factory seat belt nut. Then fully tighten both of the 3/8 - 16 x 1" Hex Head Bolts and M8 1.25 Hex Flange Lock Nuts.

**STEP 12**

Fold the rear seat back up.

CONGRATULATIONS!

You have completed the installation for this model! Enjoy your new Stealthbox®!

**MID/HIGH FREQUENCY DRIVER FITMENT**

A variety of JL Audio coaxial and component systems will fit in the factory speaker locations of your vehicle.

Front Speaker Size / Location: 6-1/2" - Front Doors

Fits JL Audio Models: TR650-CXi, TR650-CSi, C2-650x, C2-650, C3-650, C5-650x, C5-650, & ZR650-CSi

Rear Speaker Size / Location: 6-1/2" - Roll Bar

Fits JL Audio Models: TR650-CXi, TR650-CSi, C2-650x, C2-650, C3-650, C5-650x, C5-650, & ZR650-CSi



JL AUDIO | How we play.™    

(954) 443-1100

www.jlaudio.com

All specifications are subject to change without notice. "JL Audio"™ and the JL Audio logo, and "Stealthbox" and the Stealthbox logo are registered trademarks of JL Audio, Inc. "Ahead of the Curve", its respective logo, and "How we play" are trademarks of JL Audio, Inc.

Printed in USA • ©2016 JL Audio, Inc. • For more detailed information please visit us online at www.jlaudio.com.

JLA-SKU# 011387 • ver. 09.16.2016 • 10369 NORTH COMMERCE PARKWAY • MIRAMAR, FLORIDA • 33025 • USA